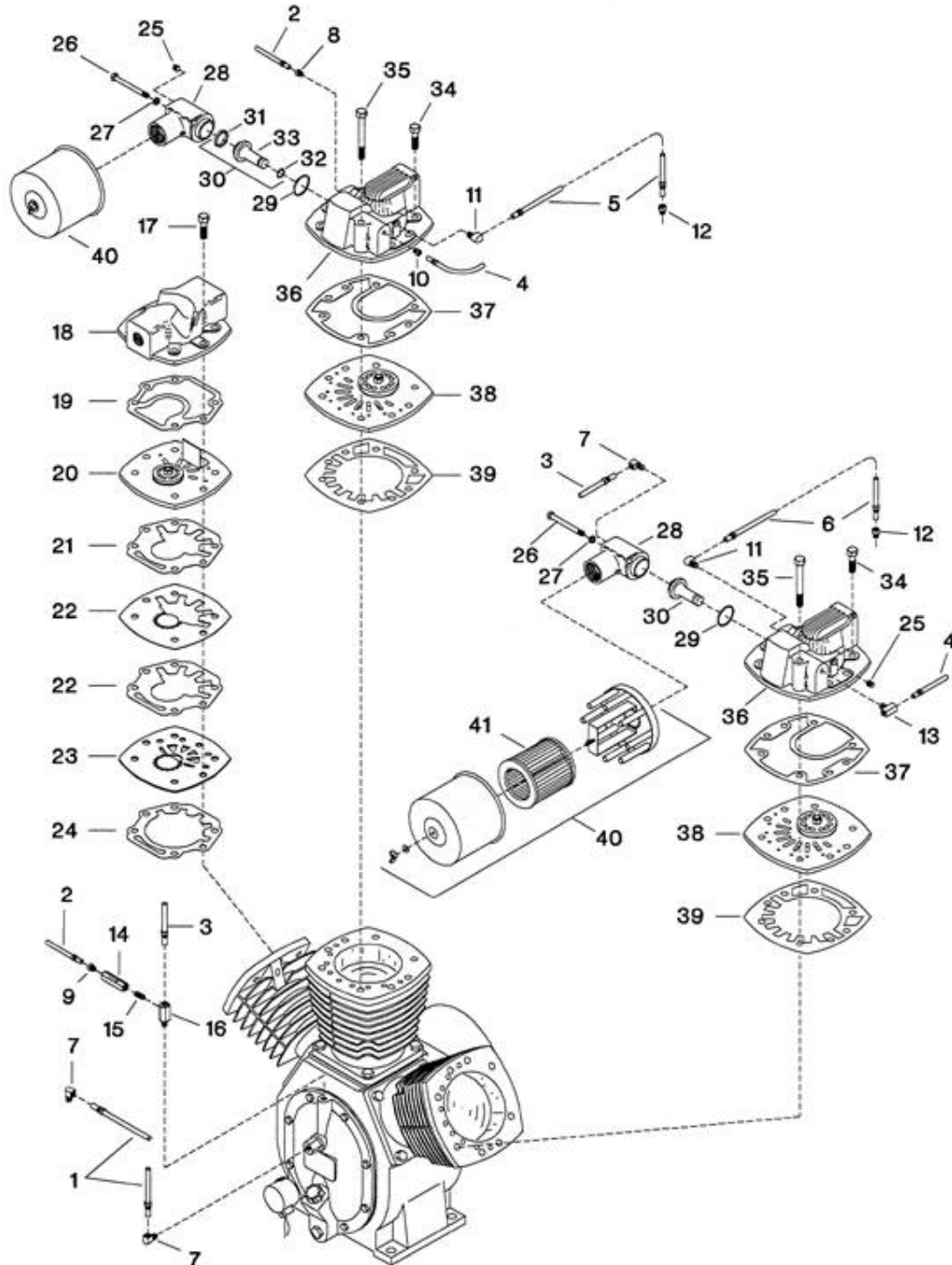


2. Bare Compressor - Model 3000



All manufacturer's names, numbers, photos, product description and/or part numbers are used for reference purposes only & it is not implied that any part listed is the product of these manufacturers. Since Approvement are made from time to time, the illustration and specifications are subject to change without notice.

2. Bare Compressor - Model 3000

REF. NO.	PART NO.	DESCRIPTION	QTY.	SPARES		
				1	2	3
2-1	32172751	ASSEMBLY, TUBE - PILOT VALVE/INTERCOOLER - 5/16" DIAMETER	1			
2-2	32200503	ASSEMBLY, TUBE - CHECK VALVE/CENTER HEAD - 5/16" DIAMETER	1			
2-3	32203432	ASSEMBLY, TUBE - CHECK VALVE/RIGHT-HAND HEAD - 5/16" DIAMETER	1			
2-4	32183303	ASSEMBLY, TUBE - CENTER HEAD/TEE - 5/16" DIAMETER	1			
2-5	32176695	ASSEMBLY, TUBE - BREATHER/CENTER HEAD - 3/8" DIAMETER	1			
2-6	32172777	ASSEMBLY, TUBE - BREATHER/RIGHT-HAND HEAD - 3/8" DIAMETER	1			
2-7	95110441	ELBOW, TUBE - 5/16 X 1/4"	3			
2-8	32157554	CONNECTOR, MALE - 5/16 X 1/4"	1			
2-9	95082483	CONNECTOR, TUBE - 5/16 X 1/8"	1			
2-10	37144508	ORIFICE, CONNECTOR - TUBE	1			
2-11	95040143	ELBOW, TUBE - 3/8 X 1/4"	2			
2-12	95083143	CONNECTOR, MALE - 3/8 X 1/4"	2			
2-13	32255721	TEE, UNLOADER ORIFICE	1			
2-14	32001141	VALVE, CHECK	1			
2-15	95796017	NIPPLE, CLOSE - 1/8 X 3/4"	1			
2-16	32203242	CONNECTOR, TUBE - 5/16 X 1/4" MALE LONG	1			
2-17	95104196	CAPSCREW, HEX - 1/2-13 X 2"	6			
2-18	32172199	HEAD, SECOND STAGE (HIGH PRESSURE)	1			
2-19	32252801	GASKET, HEAD - SECOND STAGE	1	1	1	2
2-20	REF.	ASSEMBLY, VALVE PLATE - SECOND STAGE (SEE FIGURE 3)	1		1	1
2-21	32252819	GASKET, SPACER PLATE - SECOND STAGE	2	2	2	4
2-22	32228280	PLATE, SPACER - SECOND STAGE	1			
2-23	32228272	PLATE, DISC - SECOND STAGE	1			
2-24	32252827	GASKET, VALVE PLATE - SECOND STAGE	1	1	1	2
2-25	95252409	PLUG, PIPE - HEX HEAD - 1/4"	2			
2-26	95035259	CAPSCREW, HEX - 5/16-18 X 3-3/4"	4			
2-27	95043188	LOCKWASHER, SPRING - 5/16"	4			
2-28	32174336	COVER, UNLOADER	2			
2-29	95026183	O-RING	2	2	2	4
2-30	32256257	ASSEMBLY, UNLOADER PISTON	2			
2-31	32254740	● SEAL, UNLOADER PISTON	1	2	2	4
2-32	32188385	● O-RING, UNLOADER PISTON	1	2	2	4
2-33	NSS	● PISTON, UNLOADER	1	1	1	2
2-34	95104188	CAPSCREW - HEX 1/2-13 X 1-3/4"	14			
2-35	95104279	CAPSCREW - HEX 1/2-13 X 4-1/4"	2			
2-36	32172207	HEAD, FIRST STAGE (LOW PRESSURE)	2			
2-37	32267502	GASKET, HEAD - FIRST STAGE	2	2	2	4
2-38	REF.	ASSEMBLY, VALVE PLATE - FIRST STAGE (SEE FIGURE 4)	2		1	2
2-39	32267510	GASKET, VALVE PLATE - FIRST STAGE	2	2	2	4
2-40	32109779	FILTER, INLET - COMPLETE	2			
2-41	32012957	● ELEMENT, FILTER - 10 MICRON	2	4	4	4

All manufacturer's names, numbers, photos, product description and/or part numbers are used for reference purposes only & it is not implied that any part listed is the product of these manufacturers. Since Approvement are made from time to time, the illustration and specifications are subject to change without notice.